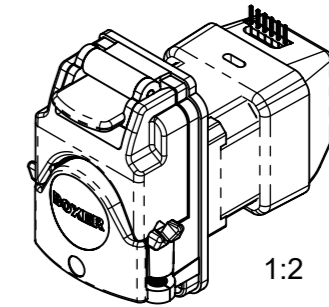
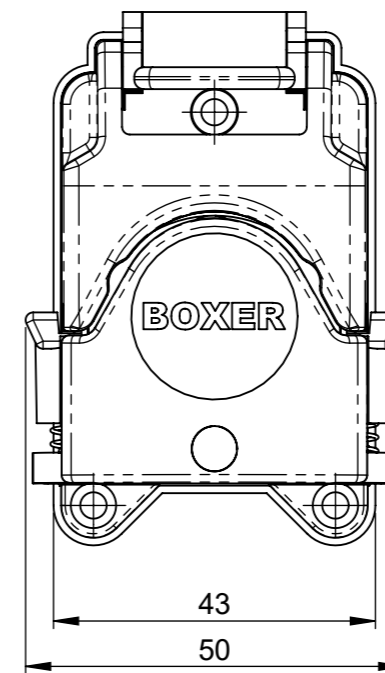
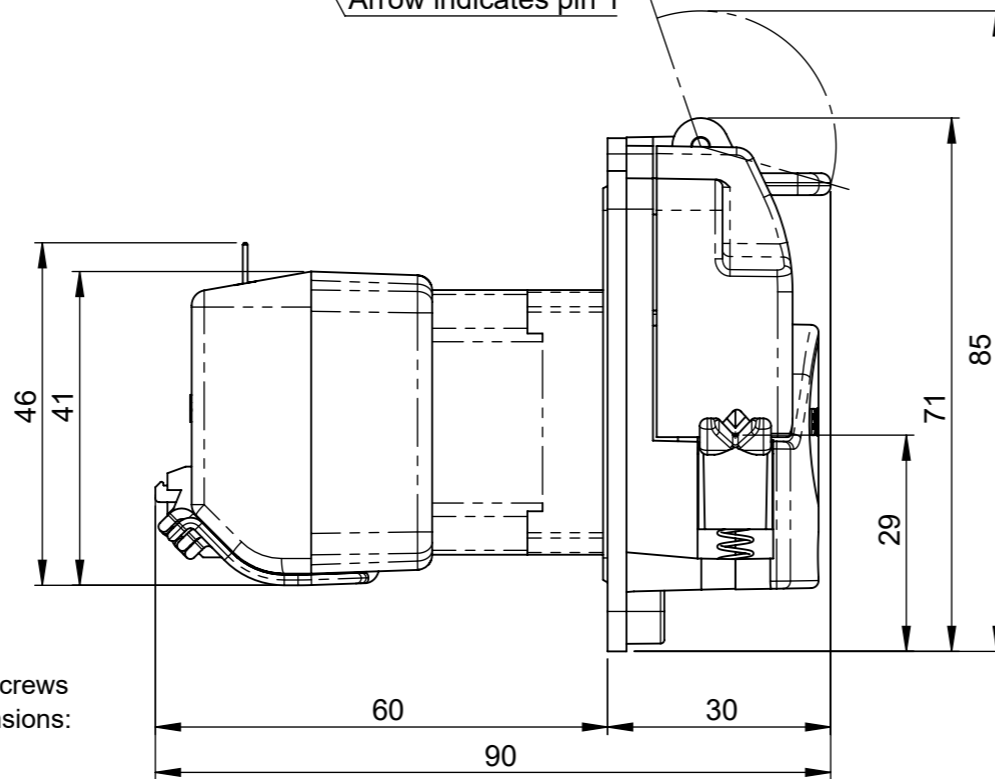
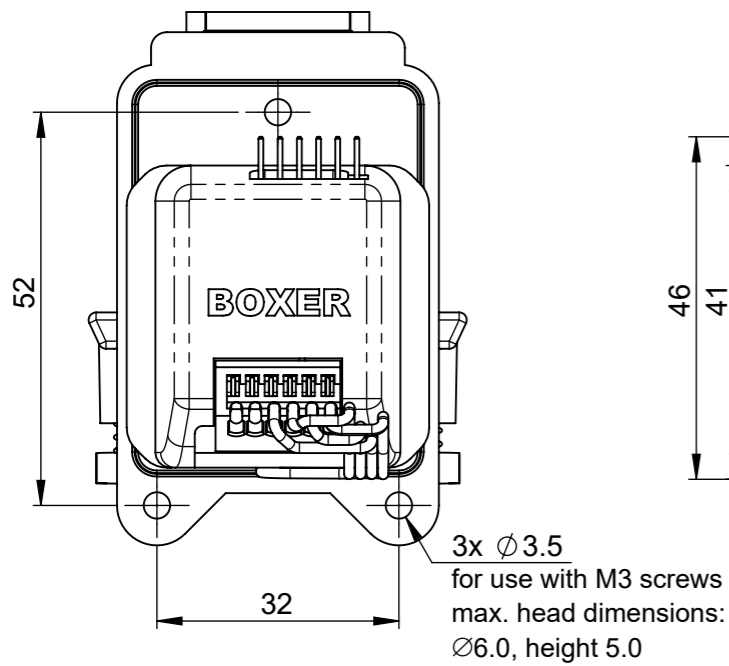
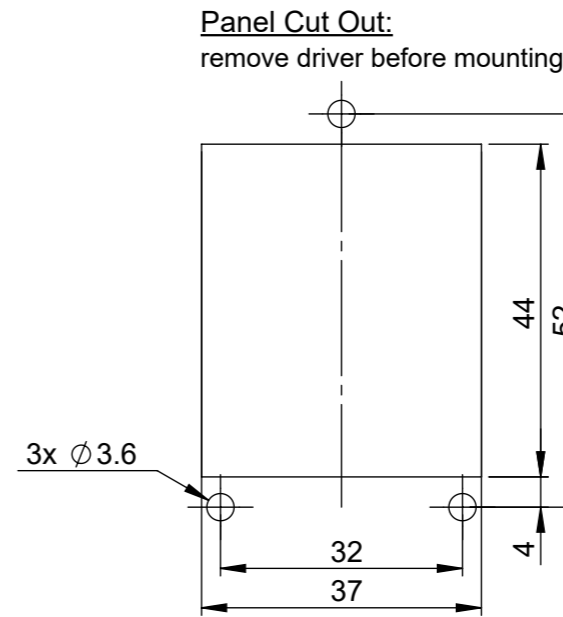
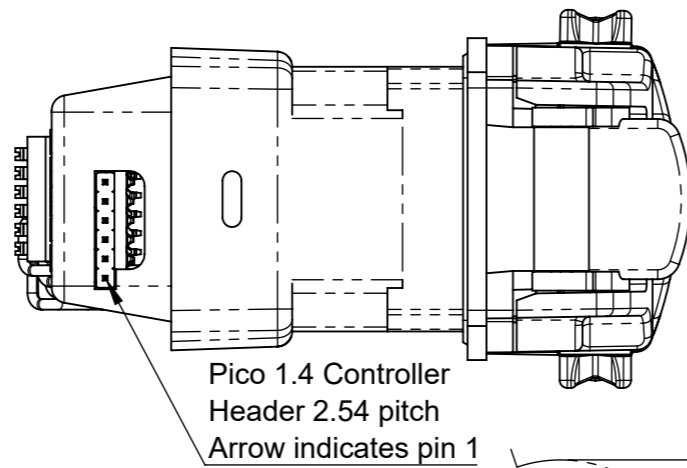
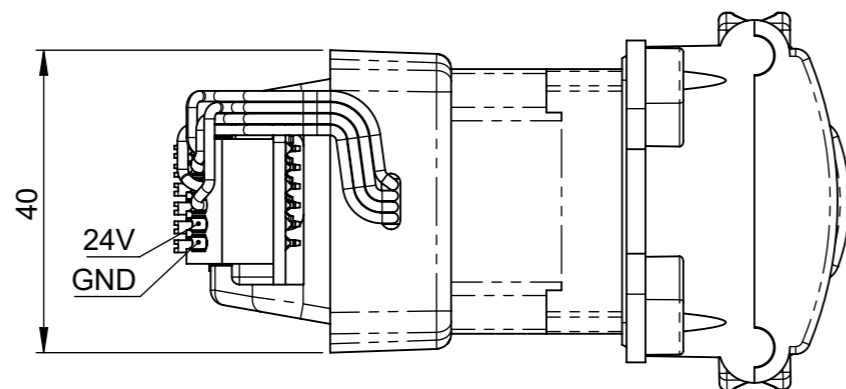


Pico 1.4 Controller Header Pin Out	
1	GND Output
2	Step Input
3	Speed Input 0 to 5V or 0 to 100% PWM
4	Direction Input GND = CW, 5V/open = CCW
5	Enable / Disable Input GND = Disable, 5V/open = Enable
6	5V Output



Part Number Explanation:
9 8 [X] [X] . 7 [X] 0

- ↑ driver type
- 0: none
- 6: Pico 1.4
- ↑ sensor type
- 0: none
- 1: speed sensor
- 2: encoder
- ↑ number of rollers
- 3: 3 rollers
- 4: 4 rollers
- 6: 6 rollers



DIMENSIONS STATED IN MM

BOXER					Surface Quality	Default Tolerances	Material, Colour	
						ISO 2768-mK	---	
Marktplatz 9 • 87724 Ottobeuren • Germany					Part Number	Part Name	Format	
Rev.	Date (D.M.Y.)	CRE	CHE	APP	9860.7[X]0	9QX with driver	A3	
04							Scale	1:1
03					Tool Number	Project	Sheet	1 of 1
02					---	9K		
01								
00	13.06.2024	RZe	SCo	SSp	File Name: 98xx.730_9QX_CombiPlate			